

PARTS LIST

MODEL: eXcellence 680

Modified info.

Modified: 28 May 2015

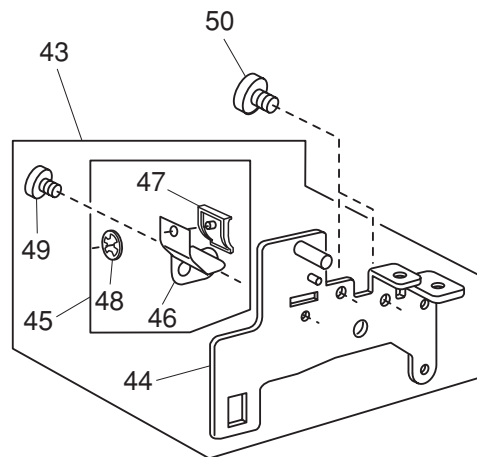
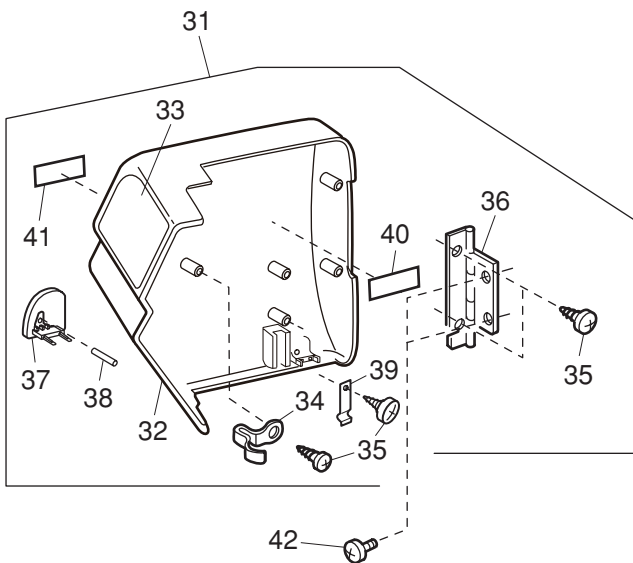
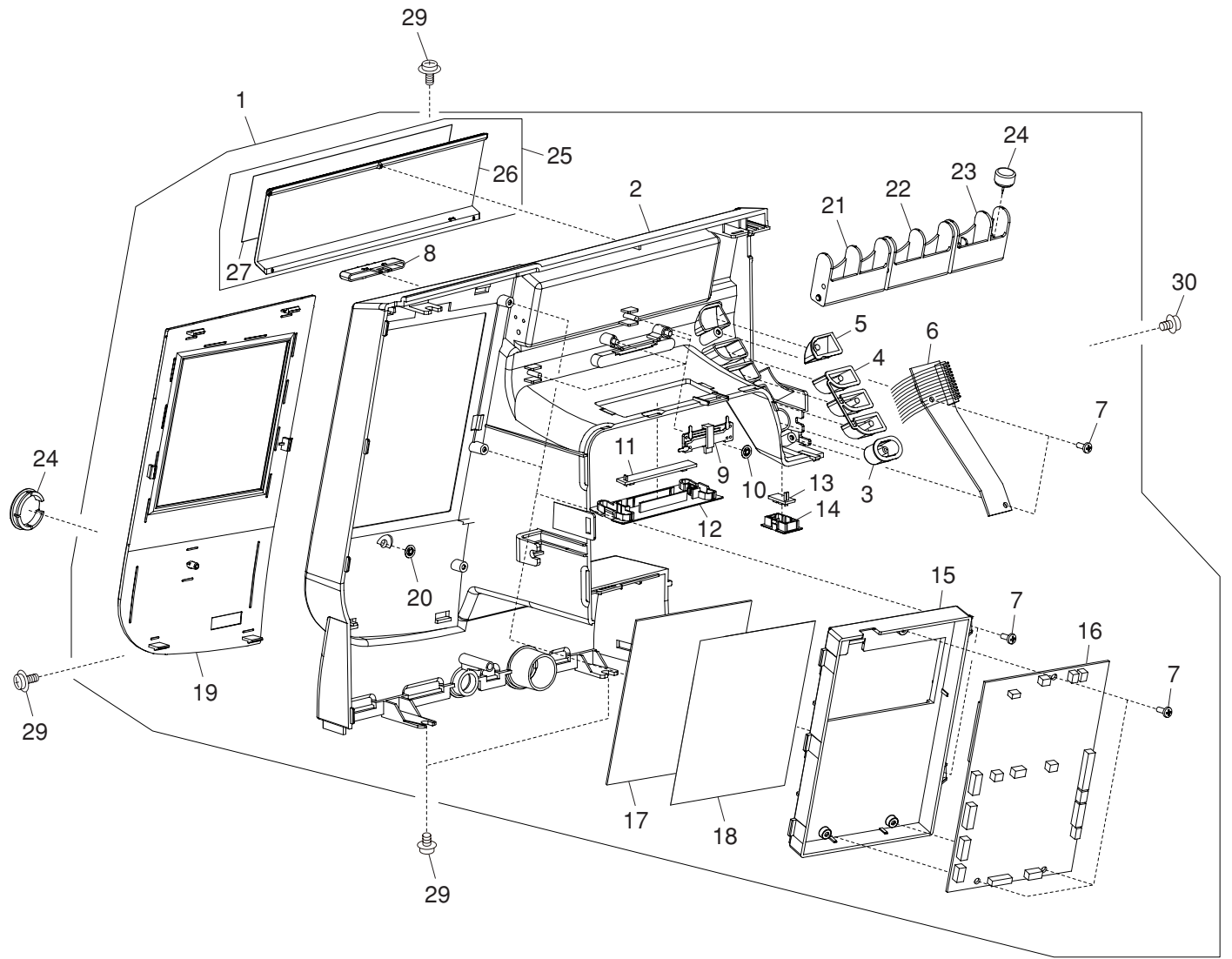
P3-21~27 added.

Modified: 16 November 2016

P22-40: image modified.

P23-40: 863401004 → 859867010

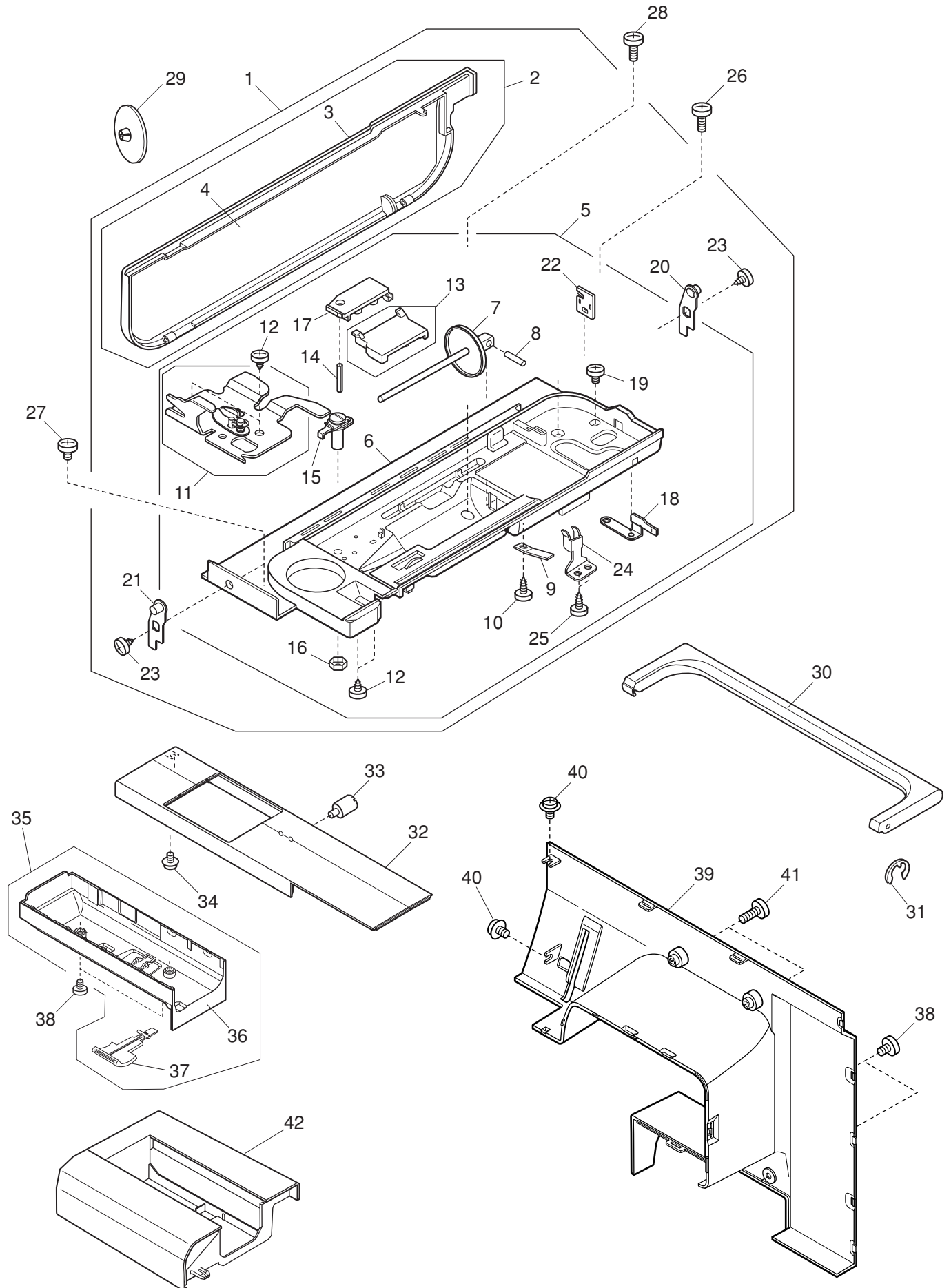
PARTS LIST



PARTS LIST

KEY NO.	PARTS NO.	DESCRIPTION
1	863620001	Front cover (unit)
2	861141A01	Front cover
3	858102A01	Start/stop button
4	858208A01	Function button 1
5	858208B01	Function button 2
6	861510001	Printed circuit board F (unit)
7	000120203	Setscrew 3x8 (B)
8	861145001	Speed control slider
9	653507288	Slide volume (unit)
10	000014306	Snap ring CS-3
11	858502309	Printed circuit board L1 (unit)
12	858106000	LED cover 2
13	859525909	Printed circuit board L2 (unit)
14	860167006	Lamp cover 2
15	863034002	Printed circuit board A case
16	858542208	Printed circuit board A (unit)
17	852524000	Touch panel (unit)
18	863022A02	Touch panel sheet
19	863033104	Ornamental panel
20	000014007	Snap ring CS-4
21	849058A02	Storage compartment 1
22	849058A01	Storage compartment 1
23	849059A01	Storage compartment 2
24	849801004	Circular pivot pin
25	861642106	Storage compartment lid (unit)
26	861143009	Storage compartment lid
27	861144A01	Ornamental plate
28	859216007	Cap
29	000115205	Setscrew TP 4x6
30	000114710	Setscrew TP 3x6
31	861643303	Face plate (unit) (U.S.A.)
	861643406	Face plate (unit) (Canada)
	861643509	Face plate (unit) (Australia, Continental Europe, Russia)
32	861147A01	Face plate
33	861148A01	Ornamental panel 2
34	850013005	Face plate spring
35	000161206	Setscrew 3x10 (B)
36	851503103	Face plate hinge (unit)
37	840602006	Thread cutter (unit)
38	000020109	Pin 2x8
39	859233000	Spring
40	830312016	Caution sticker (U.S.A.)
	100045000	Caution sticker (Canada)
41	100517008	Caution sticker (Canada)
42	000081119	Setscrew 4x6
43	861612004	Carrying handle supporter (unit)
44	861024003	Carrying handle supporter
45	861613005	Spring (unit)
46	861073007	Spring
47	861074008	Spring cap
48	000017701	Snap ring CS-3.5
49	000101116	Setscrew 3x4
50	000081005	Setscrew 4x8

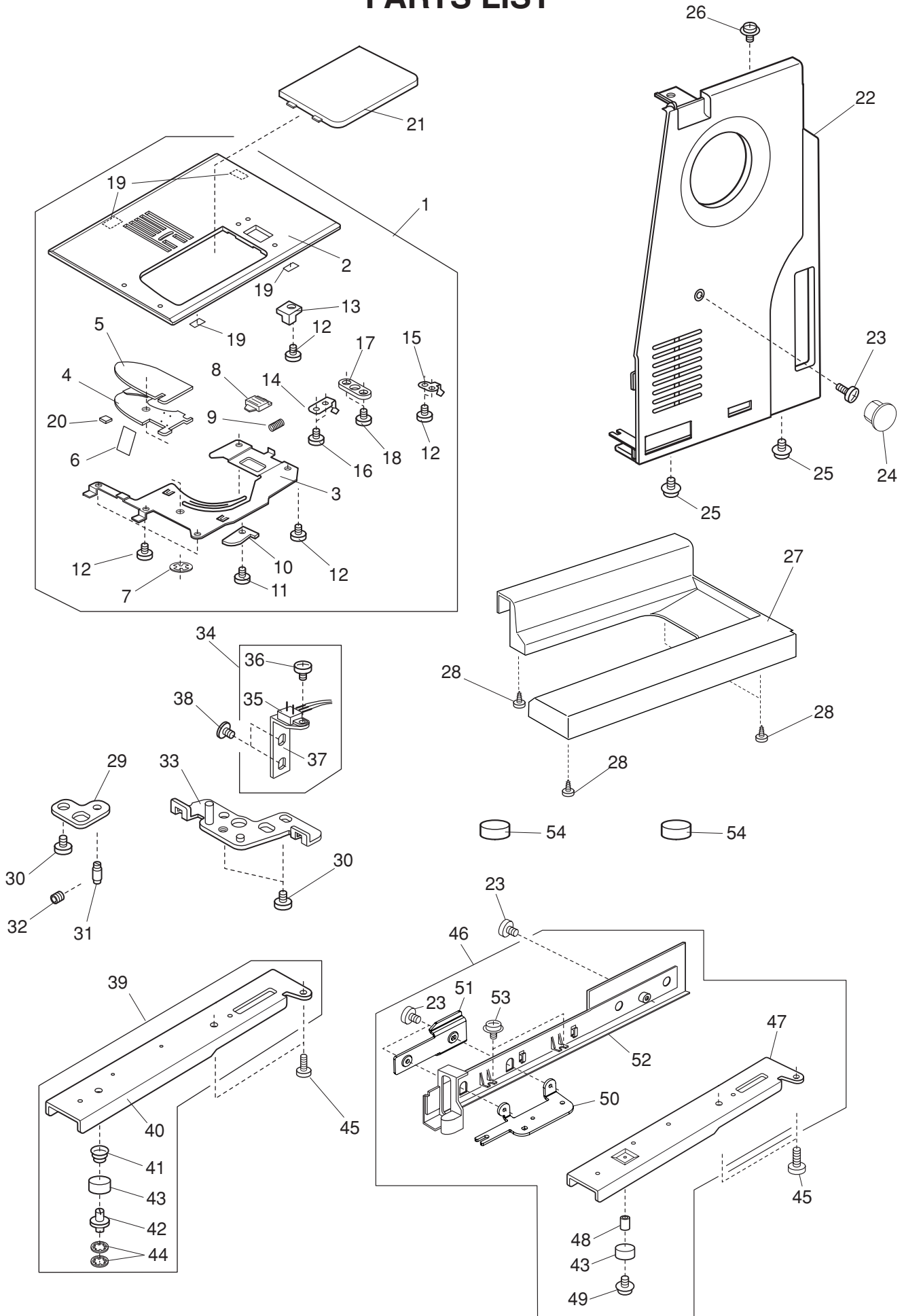
PARTS LIST



PARTS LIST

KEY NO.	PARTS NO.	DESCRIPTION
1	861607305	Top cover (unit)
2	861608306	Top cover (unit)
3	861016002	Top cover
4	861017A01	Quick reference chart
5	861609101	Top cover body (unit)
6	861018107	Top cover body
7	859052003	Spool pin
8	822017002	Spool pin shaft
9	822018003	Spool pin spring
10	000107204	Setscrew 3x12 (B)
11	859541004	Thread guide (unit)
12	000120203	Setscrew 3x8 (B)
13	859648002	Thread guide cover (unit)
14	000020202	Spring pin
15	830503005	Bobbin winder thread guide (unit)
16	000160102	Adjustable lock nut 4
17	830011001	Bobbin winder thread guide cover
18	861099009	Bobbin winder stopper
19	000101127	Setscrew 3x4
20	858023002	Top cover hinge (right)
21	858023105	Top cover hinge (left)
22	830505007	Thread cutter (unit)
23	000161206	Setscrew 3x10 (B)
24	859137003	Top cover hinge (right)
25	000120203	Setscrew 3x8 (B)
26	000104119	Setscrew 4x20
27	000066705	Setscrew 3x8
28	000170507	Setscrew 4x12
29	822020503	Spool holder
30	861019005	Carrying handle
31	000001609	Snap ring E-5
32	861007103	Free arm cover
33	858165100	Pin
34	000114710	Setscrew TP 3x6
35	861604003	Bed cover (unit)
36	861008001	Bed cover
37	859040008	Lever
38	000081005	Setscrew 4x8
39	861009B01	Rear cover
40	000115205	Setscrew TP 4x6
41	000101806	Setscrew 4x16
42	861501A01	Extension table (unit)

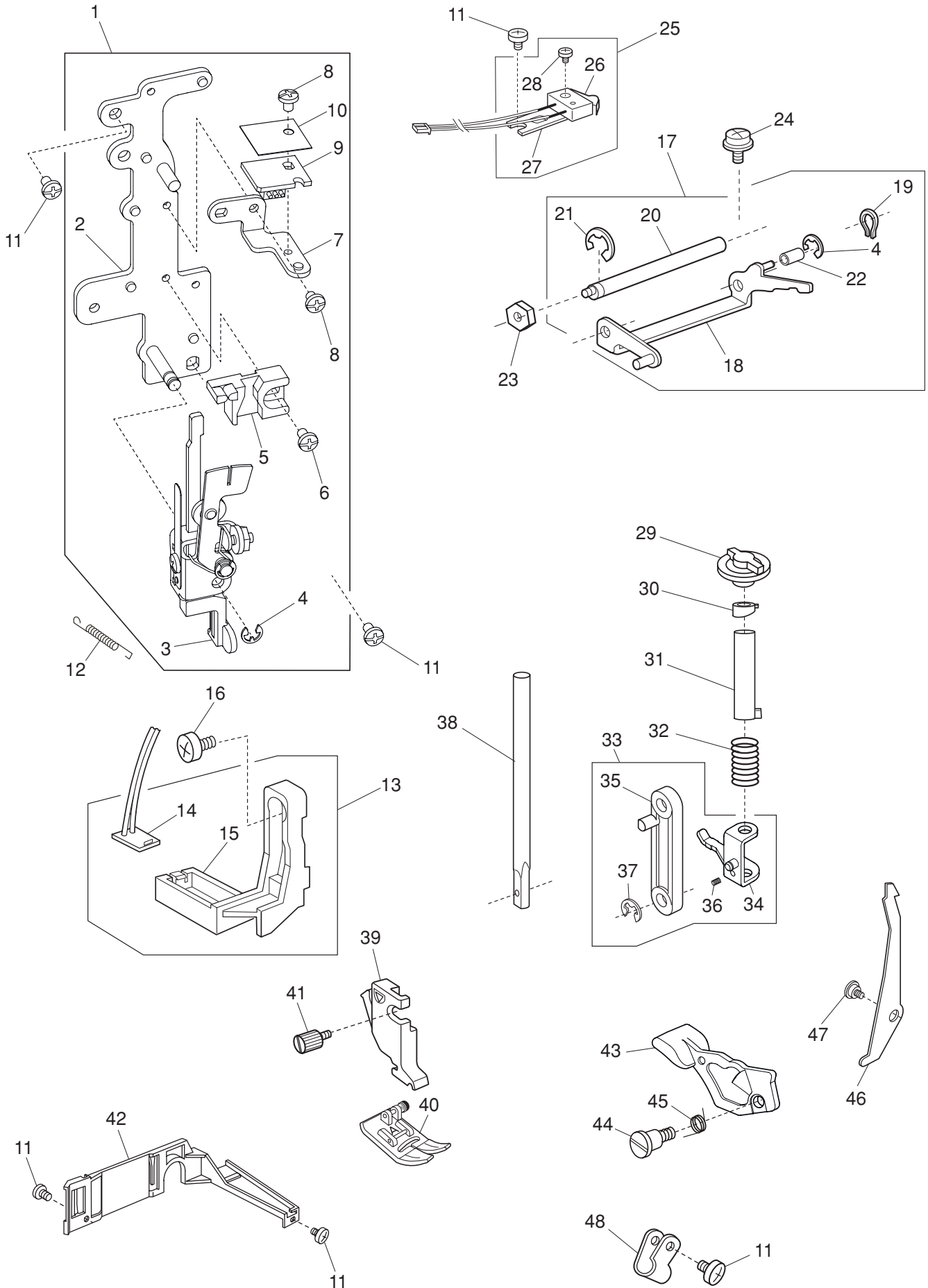
PARTS LIST



PARTS LIST

KEY NO.	PARTS NO.	DESCRIPTION
1	861606005	Needle plate (unit)
2	861013010	Needle plate
3	861014000	Hook cover plate supporter
4	809134005	Hook cover plate supporter base
5	809135006	Guide holder
6	809137008	Cutter
7	000014306	Snap ring CS-3
8	825016000	Hook cover plate release button
9	825017001	Spring
10	809044203	Rotation stopper
11	000097613	Setscrew 2x4
12	820374004	Setscrew 2x2.3
13	859046004	Needle plate sensor block
14	859047016	Spring
15	859245005	Spring 2
16	000169709	Setscrew 2x2.3
17	859271000	Guide plate
18	000102807	Setscrew 2x4
19	859272104	Rubber sheet
20	861152001	Felt
21	809136100	Hook cover plate
22	861146208	Belt cover
23	000081005	Setscrew 4x8
24	745033002	Cap
25	000115205	Setscrew TP 4x6
26	000114710	Setscrew TP 3x6
27	861005019	Base cover
28	000161206	Setscrew 3x10 (B)
29	860003025	Needle plate nut set plate
30	810220106	Setscrew
31	859270009	Needle plate positioning pin
32	000111201	Hexagonal socket screw 4x4
33	859247018	Needle plate adjusting plate
34	859671107	Needle plate sensor (unit)
35	859524104	Switch (unit)
36	755096004	Setscrew
37	859246006	Switch set plate
38	000193001	Setscrew TP 4x6
39	861601000	Arm sole (front cover side) (unit)
40	861002005	Arm sole
41	858162004	Spring
42	820350004	Adjusting screw
43	605074008	Rubber foot
44	000014409	Snap ring CS-8
45	000100702	Setscrew 6x10
46	863624005	Arm sole (unit)
47	861003006	Arm sole
48	000141107	Bushing
49	000119106	Setscrew TP 4x10
50	863037005	Rail set plate
51	863036004	Rail
52	861006102	Cover
53	000115618	Setscrew TP 4x8
54	647009002	Rubber foot

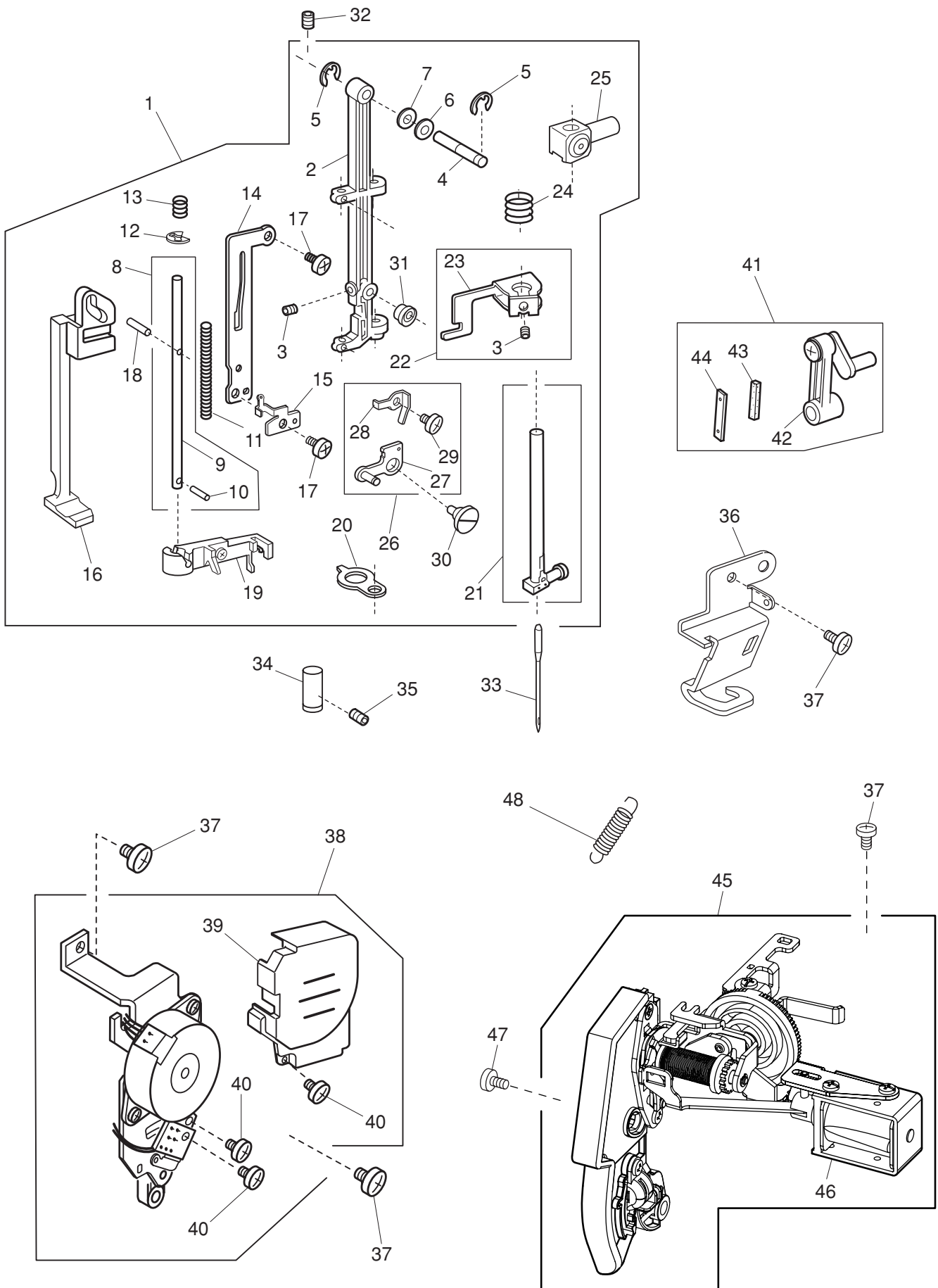
PARTS LIST



PARTS LIST

KEY NO.	PARTS NO.	DESCRIPTION
1	863606001	Front bracket (unit)
2	861030013	Front bracket
3	843625406	Buttonhole lever (unit)
4	000002105	Snap ring E-3
5	830057021	Buttonhole lever guide
6	000103808	Setscrew 3x5
7	861031003	Sensor base plate
8	000101105	Setscrew 3x4
9	852502312	Printed circuit board G1 (unit)
10	853028002	Insulation sheet
11	000081005	Setscrew 4x8
12	844038018	Needle bar supporter spring
13	861665507	LED cover (unit)
14	859525806	Printed circuit board L2 (unit)
15	859232021	LED cover
16	000078319	Setscrew 3x6
17	861616101	Presser foot actuator arm (unit)
18	861035007	Presser foot actuator arm
19	000014605	Snap ring 6
20	830060005	Presser foot actuator arm
21	000001609	Snap ring E-5
22	861034006	Bushing
23	000061205	Nut 4
24	000115629	Setscrew TP 4x8
25	861617009	Presser foot lifter switch (unit)
26	652520099	Micro switch (unit)
27	861029008	Micro switch set plate
28	000102900	Setscrew 2x8
29	858136102	Presser foot pressure adjusting dial
30	858155004	Presser foot pressure adjusting cam
31	858028007	Presser bar bushing
32	861026005	Presser bar spring
33	863614002	Presser bar supporter (unit)
34	863012004	Presser bar supporter
35	861028007	Presser bar link
36	000111500	Hexagonal socket screw 4x8
37	000002507	Snap ring E-4
38	827021200	Presser bar
39	859801005	Presser foot holder (unit)
40	859802006	Zigzag foot (unit)
41	858274000	Thumbscrew
42	861078002	Cord guide
43	863011003	Presser foot lifter lever
44	859028000	Setscrew
45	859029001	Spring
46	861067008	Tension release lever
47	859273002	Setscrew
48	000188601	Nylon clip

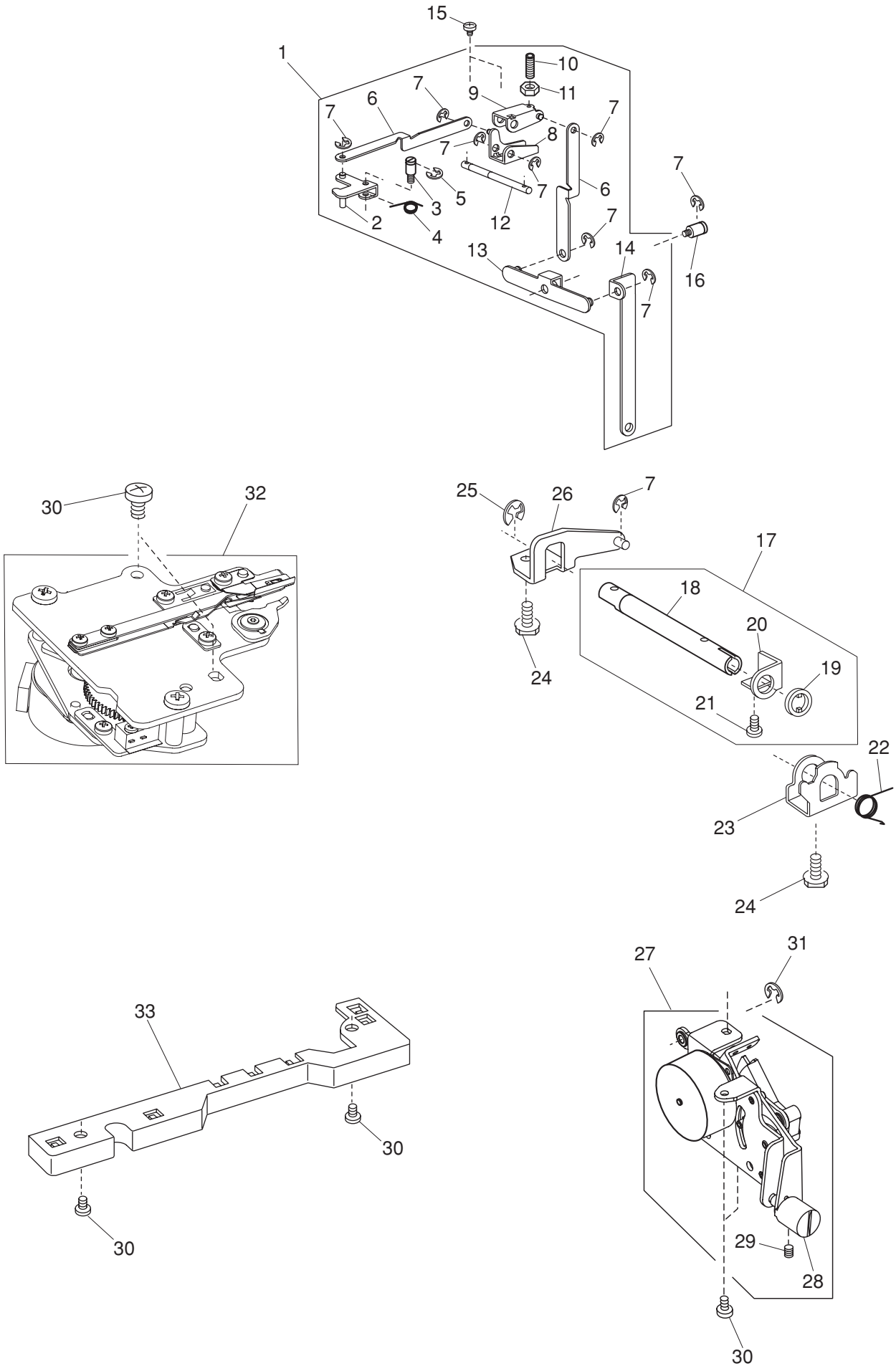
PARTS LIST



PARTS LIST

KEY NO.	PARTS NO.	DESCRIPTION
1	861664001	Needle bar supporter (unit)
2	846047005	Needle bar supporter
3	000111902	Hexagonal socket screw 3x4
4	735144006	Needle bar supporter pin
5	000002507	Snap ring E-4
6	000070609	Washer 6
7	673022002	Washer
8	846612100	Threader shaft (unit)
9	846048028	Threader shaft
10	000003508	Knock pin
11	842090001	Needle threader spring
12	000002105	Snap ring E-3
13	842096007	Threader lever spring
14	842091002	Threader guide plate
15	844036038	Threader lever plate
16	859111001	Threader lever
17	000078319	Setscrew 3x6
18	000125105	Pin
19	846588014	Threader guard plate (unit)
20	829027006	Supporter guide plate
21	859647001	Needle bar (unit)
22	861610002	Threader position setting plate (unit)
23	861052000	Threader position setting plate
24	858172007	Needle bar connecting stud spring
25	846515009	Needle bar connecting stud (unit)
26	861630008	Zigzag width rod (unit)
27	808015006	Zigzag width rod
28	827088009	Zigzag width rod spring
29	820373003	Setscrew
30	678084007	Eccentric pin
31	808074003	Washer
32	000111201	Hexagonal socket screw 4x4
33	647814031	Needle HA1-14
34	827083004	Supporter guide pin
35	000216805	Hexagonal socket screw 3x3
36	861004007	Arm thread guide
37	000081005	Setscrew 4x8
38	861629004	Zigzag width motor (unit)
39	861055003	Motor cover
40	000101105	Setscrew 3x4
41	846615103	Needle bar crank (unit)
42	843543007	Needle bar crank pin (unit)
43	650040005	Felt
44	650041006	Spring
45	863618006	Thread tension (unit)
46	834604308	Solenoid (unit)
47	000103509	Setscrew 4x10
48	850212017	Spring

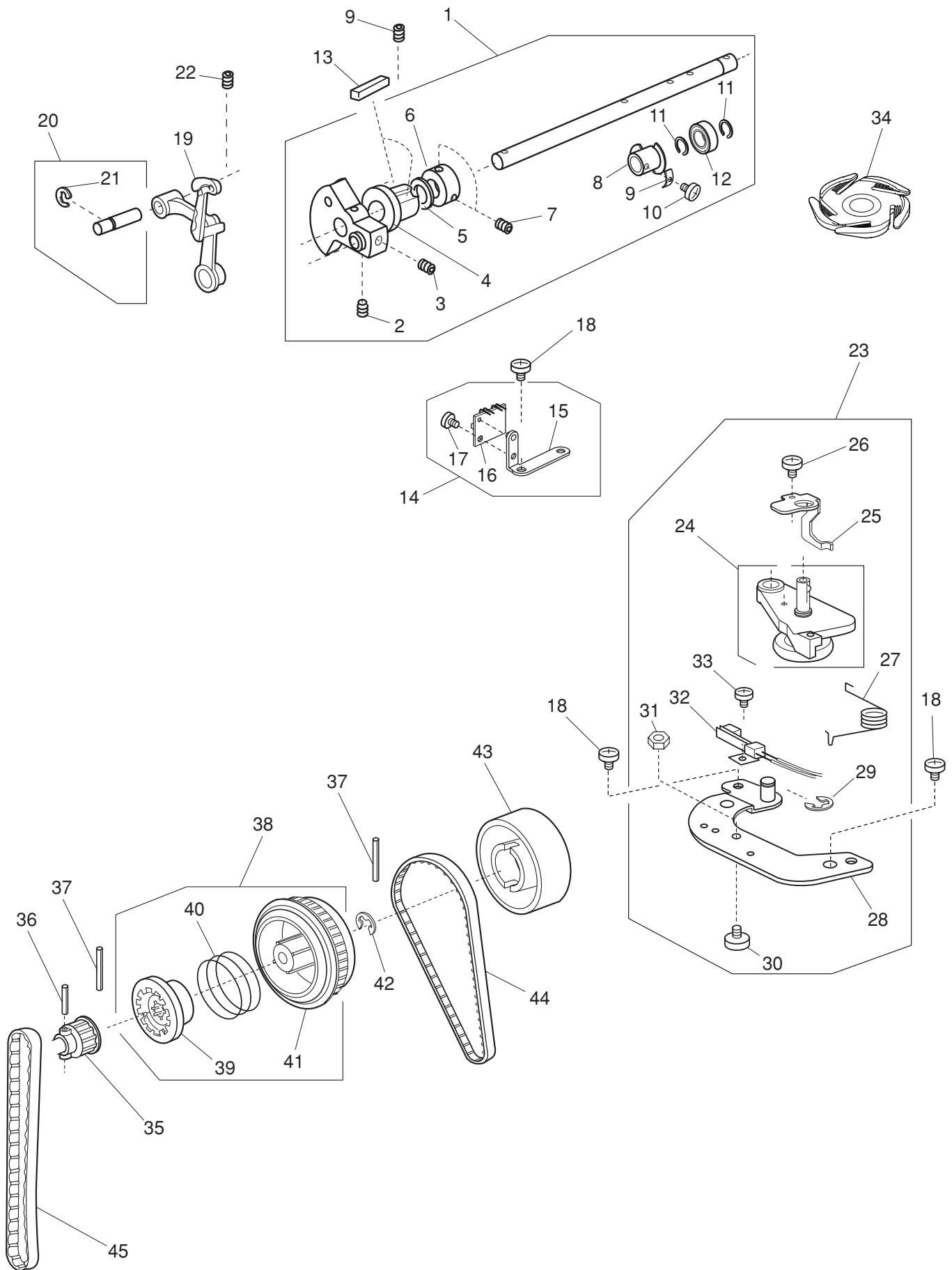
PARTS LIST



PARTS LIST

KEY NO.	PARTS NO.	DESCRIPTION
1	861633001	Knee lifter link (unit)
2	861058006	Knee lifter link (1)
3	861059007	Knee lifter link (1) shaft
4	861065006	Knee lifter link (1) spring
5	000001609	Snap ring E-5
6	861060001	Knee lifter rod (1)
7	000002507	Snap ring E-4
8	860053008	Knee lifter link (2)
9	861061002	Knee lifter link (3)
10	000196406	Hexagonal socket screw 4x25
11	000061205	Nut 4
12	861062003	Knee lifter link (2) shaft
13	861063004	Knee lifter middle link
14	861064005	Knee lifter link (4)
15	000103303	Setscrew 3.5x12
16	686063005	Setscrew
17	861632000	Knee lifter shaft (unit)
18	861057005	Knee lifter shaft
19	846297002	Stopper
20	861072006	Stopper plate
21	000101105	Setscrew 3x4
22	858091001	Knee lifter stopper spring
23	861154003	Knee lifter stopper
24	000138503	Hexagonal socket screw 5x12
25	000002208	Snap ring E-9
26	861066007	Knee lifter shaft arm
27	861628209	Feed motor (unit)
28	859215006	Feed balancing dial
29	000110200	Hexagonal socket screw 4x4 WP
30	000081005	Setscrew 4x8
31	000002105	Snap ring E-3
32	861631009	Automatic thread cutter (unit)
33	861077001	Cord guide (Free arm)

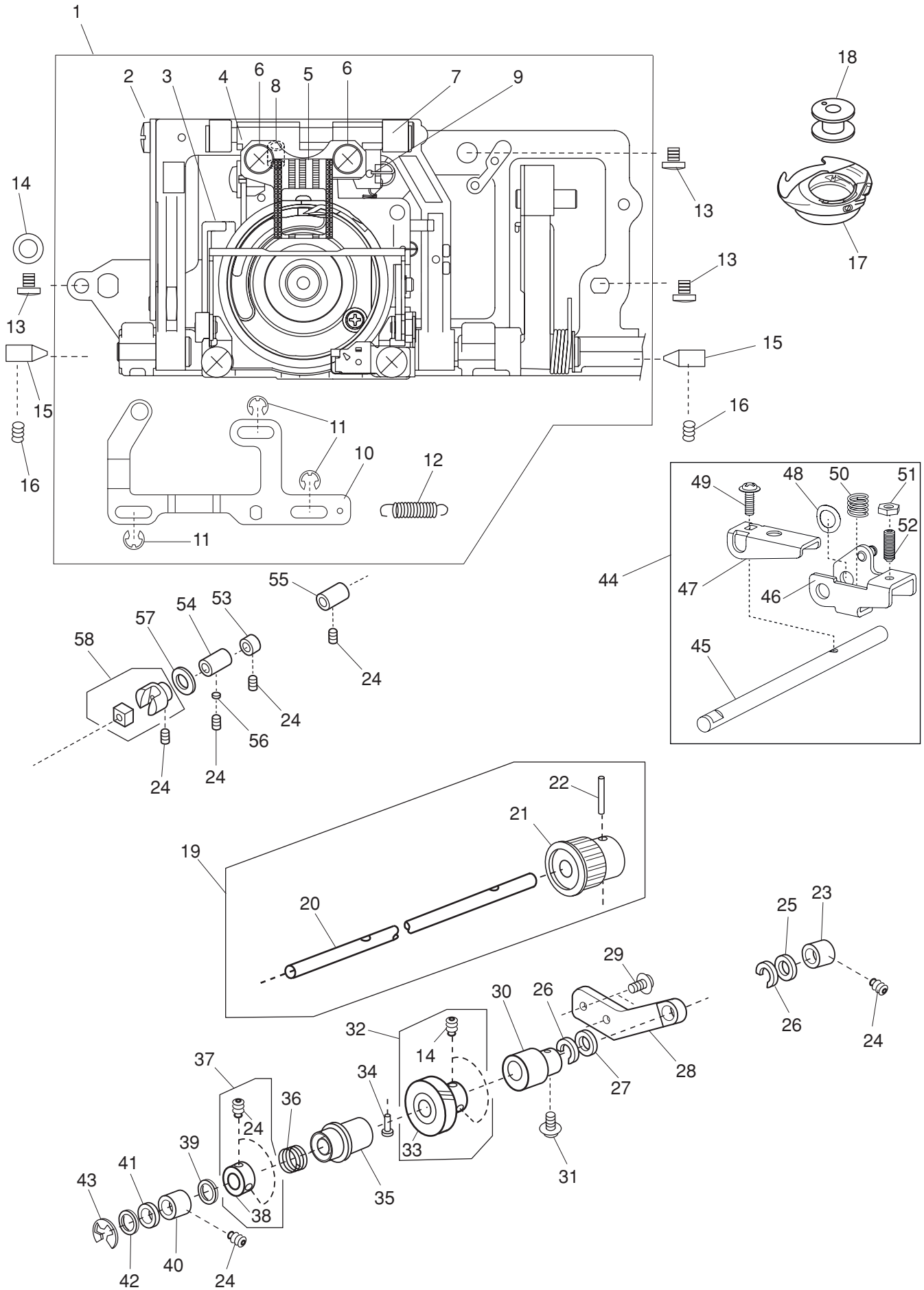
PARTS LIST



PARTS LIST

KEY NO.	PARTS NO.	DESCRIPTION
1	861619207	Upper shaft (unit)
2	000111706	Hexagonal socket screw 5x8
3	000110901	Hexagonal socket screw 5x4
4	670079201	Upper shaft front bushing
5	000040105	Washer
6	767077006	Ring
7	000111304	Hexagonal socket screw 5x5
8	859055006	Upper shaft shield plate
9	859033008	Washer
10	000080406	Setscrew 3x10
11	000032702	Snap ring crescent
12	767178101	Ball bearing 6901ZZ
13	731312005	Felt
14	861620108	Upper shaft sensor (unit)
15	861039001	Sensor set plate
16	807505201	Printed circuit board P (unit)
17	000101105	Setscrew 3x4
18	000081005	Setscrew 4x8
19	820511108	Thread take-up lever (unit)
20	650626001	Thread take-up lever pin (unit)
21	000002806	Snap ring E-6
22	000111201	Hexagonal socket screw 4x4
23	861636200	Bobbin winder (unit)
24	861503001	Bobbin winder (unit)
25	861096006	Clutch lever
26	000120203	Setscrew 3x8 (B)
27	861091001	Bobbin winder arm spring
28	861092002	Bobbin winder set plate
29	000001609	Snap ring E-5
30	861153002	Bobbin winder stopper screw
31	000063104	Nut 3-2-5.5
32	856512203	Leaf switch (unit)
33	000081706	Setscrew 2.5x5
34	862647001	Thread cutter holder (unit)
35	858052000	Upper shaft gear
36	000004303	Pin 3x20
37	000024206	Pin 3x30
38	858647008	Belt wheel (unit)
39	858053001	Clutch ring
40	502065004	Clutch spring
41	858054002	Belt wheel
42	000030009	Snap ring E-10
43	858055003	Handwheel
44	846098001	Timing belt 178
45	858118005	Timing belt 168

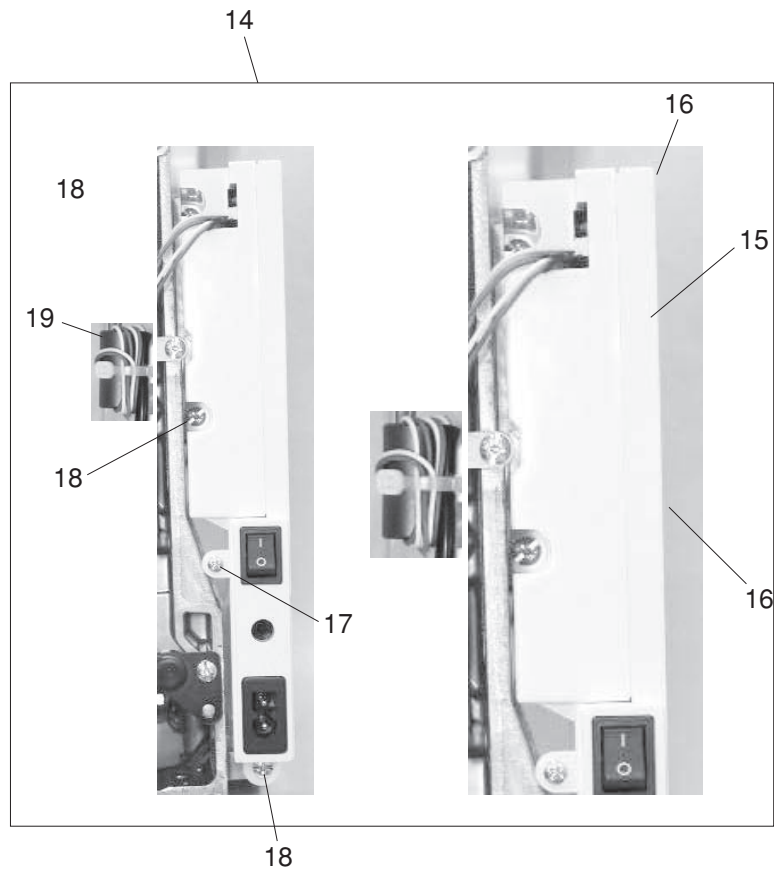
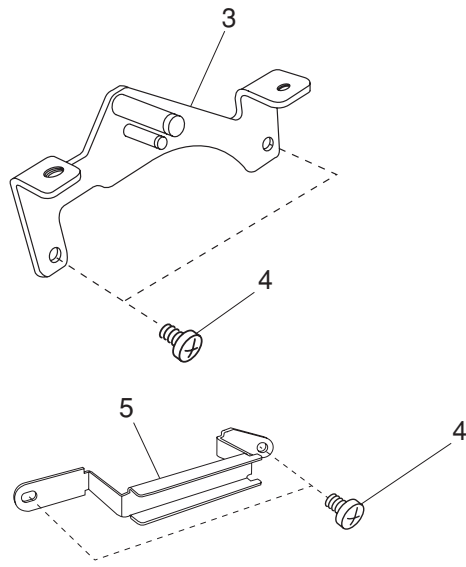
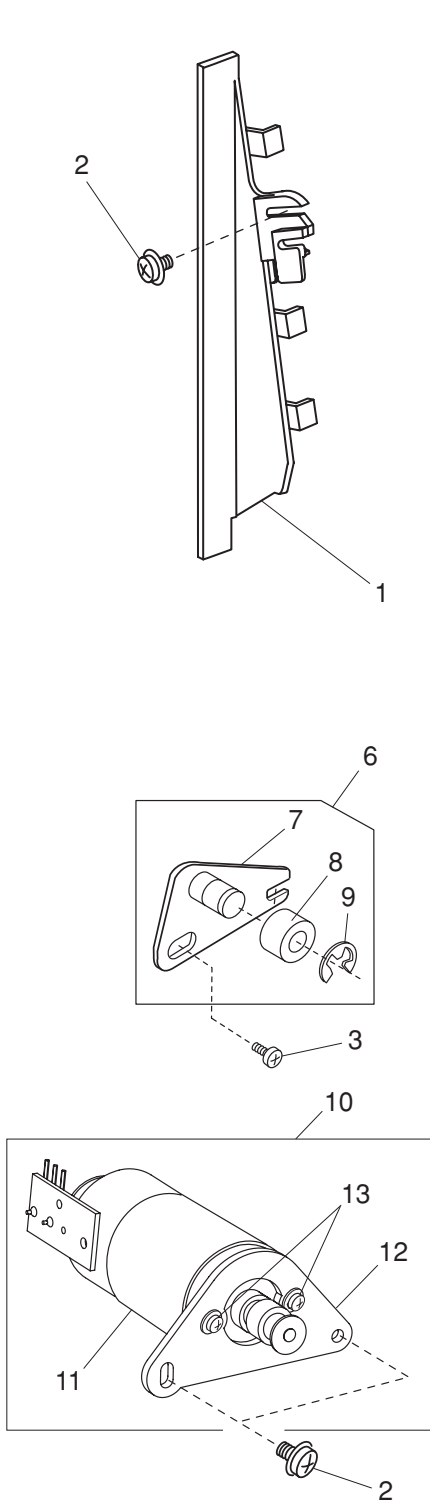
PARTS LIST



PARTS LIST

KEY NO.	PARTS NO.	DESCRIPTION
1	861625103	Feed rock shaft (whole unit)
2	846629100	Feed rock shaft (unit)
3	861626104	Hook race (unit)
4	859639000	Feed base (unit)
5	859113003	Feed dog
6	000104005	Setscrew 3.5x8
7	825099007	Feed base shaft
8	000111407	Hexagonal socket screw 4x6
9	825103005	Feed base spring
10	858138001	Drop plate
11	000002105	Snap ring E-3
12	661018008	Spring
13	000081005	Setscrew 4x8
14	000070506	Washer 4
15	738055008	Straight pin
16	000111304	Hexagonal socket screw 5x5
17	858570009	Bobbin holder (unit)
18	102261103	Bobbin
19	861621006	Lower shaft (unit)
20	861040005	Lower shaft
21	650073007	Lower gear
22	000004200	Pin 3x18
23	650079003	Lower shaft bushing (rear)
24	000111201	Hexagonal socket screw 4x4
25	822070003	Felt (1)
26	822112008	Felt holder (1)
27	861051009	Felt
28	858058006	Lower shaft supporter
29	000115700	Setscrew TP 4x10
30	846379009	Feed cam
31	000149600	Setscrew 3x14
32	850687006	Lower shaft gear (unit)
33	650955002	Lower shaft gear
34	820161006	Feed lifting pin
35	846103000	Feed lifting cam
36	825093001	Feed lifting cam spring
37	820672005	Lower shaft ring (unit)
38	820166001	Lower shaft ring
39	000038502	Washer
40	858060001	Lower shaft bushing (front)
41	735143005	Felt
42	858177002	Lower shaft washer
43	000002806	Snap ring E-6
44	861627002	Feed shaft (unit)
45	861048003	Feed shaft
46	858129009	Feed arm (1)
47	858130003	Feed arm (2)
48	810207004	Washer
49	000201302	Setscrew TP 3x10
50	589040002	Spring
51	000160102	Adjustable lock nut 4
52	000177401	Hexagonal socket screw 4x12
53	820387000	Ring
54	625144002	Feed shaft bushing (front)
55	650092002	Feed shaft bushing (rear)
56	650175000	Washer
57	823110009	Felt
58	625508008	Feed regulator (unit)

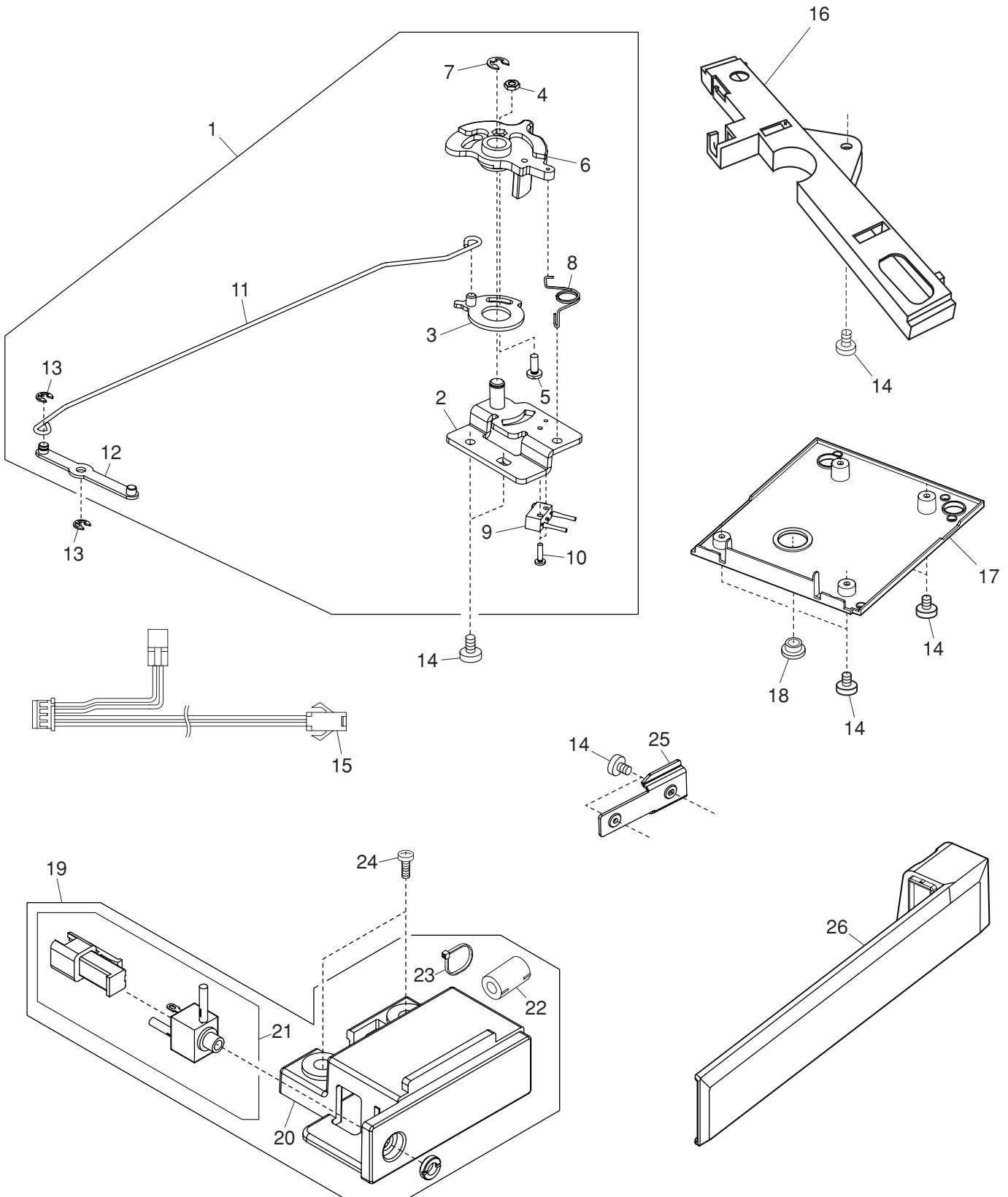
PARTS LIST



PARTS LIST

KEY NO.	PARTS NO.	DESCRIPTION
1	858145012	Cord guide plate
2	000115607	Setscrew TP 4x8
3	861075009	Carrying handle supporter (rear)
4	000081005	Setscrew 4x8
5	861089006	Cord guide
6	860608004	Idler (unit)
7	860021007	Idler base
8	625217100	Idler
9	000002806	Snap ring E-6
10	858639100	DC motor (unit)
11	843518807	DC motor (unit)
12	858117004	DC motor bracket
13	000115009	Set screw TP 3x8
14	861640001	Switching power supply (unit) (U.S.A, Canada)
	861640104	Switching power supply (unit) (Australia, Continental Europe, Russia)
15	858120000	Switching power supply plate
16	000119704	Setscrew 3x14 (B)
17	000161206	Setscrew 3x10 (B)
18	000103509	Setscrew 4x10
19	808108007	Ferrite core (Australia, Continental Europe, Russia)

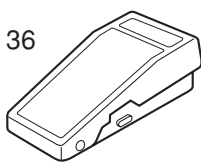
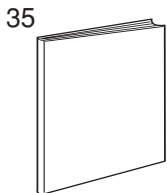
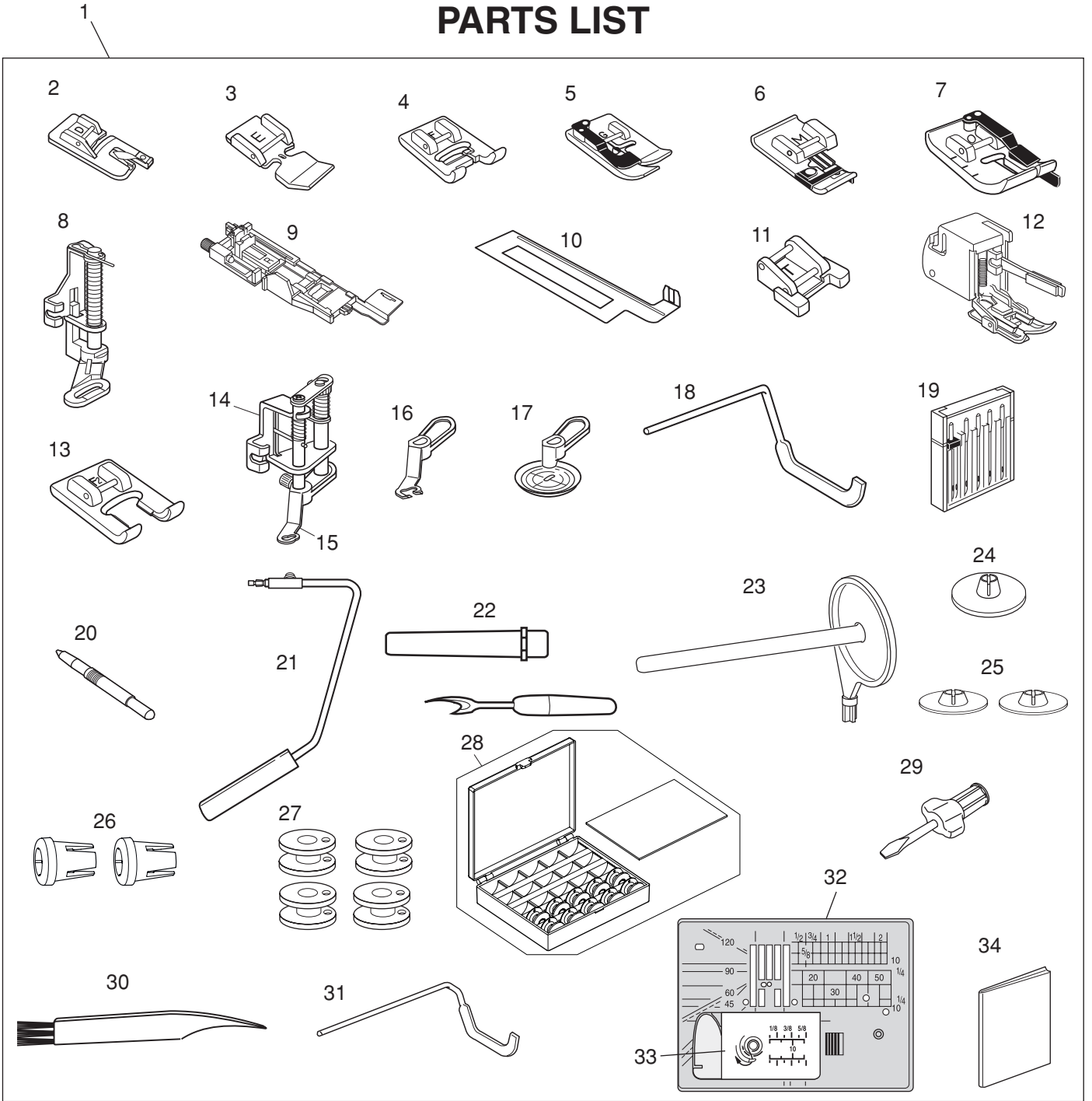
PARTS LIST



PARTS LIST

KEY NO.	PARTS NO.	DESCRIPTION
1	863621002	Feed dog drop lever (unit)
2	858141007	Feed dog drop lever base
3	858142008	Feed dog drop lever connecting plate
4	000061803	Nut 3-3-5.5
5	000066705	Setscrew 3x8
6	858143009	Feed dog drop lever
7	000002507	Snap ring E-4
8	823119008	Spring
9	846513029	Micro switch (unit)
10	000102900	Setscrew 2x8
11	863038006	Rod
12	858139002	Drop connecting block
13	000002105	Snap ring E-3
14	000081005	Setscrew 4x8
15	863503007	Junction cable
16	858159019	Cord guide 2
17	861086106	Base plate
18	626045407	Cap
19	863622003	Printed circuit board B case (unit) (U.S.A., Canada)
	863622106	Printed circuit board B case (unit) (Australia, Continental Europe, Russia)
20	861090022	Printed circuit board B case
21	767541202	Jack cord (unit)
	767541305	Jack cord (unit)
22	863504008	Ferrite core (unit)
23	000053101	Cord bind
24	000101703	Setscrew 4x12
25	863036004	Rail
26	861088108	Rail cover

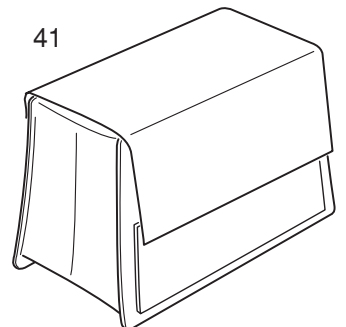
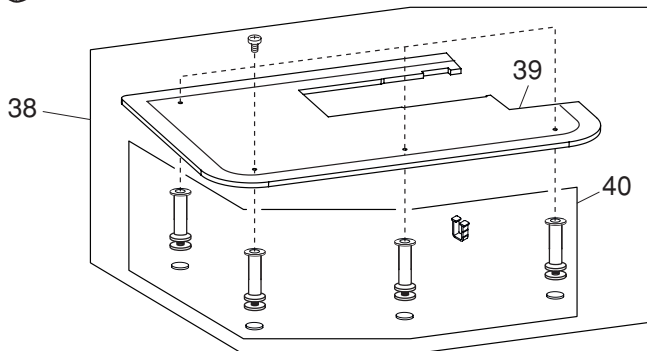
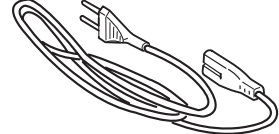
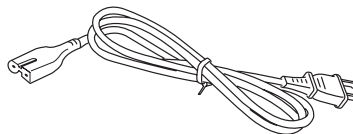
PARTS LIST



37 (U.S.A., Canada)

37 (Australia)

37 (Continental Europe, Russia)



PARTS LIST

KEY NO.	PARTS NO.	DESCRIPTION
1	863871009	Accessories set
2	859804008	Rolled hem foot D
3	859805009	Zipper foot E
4	859806011	Satin stitch foot F
5	859807001	Blind hemming foot G
6	859810007	Overedge foot M
7	859814001	1/4" Seam foot O
8	859839002	Darning foot PD-H
9	862822002	Automatic buttonhole foot R
10	859832016	Stabilizer plate
11	859811008	Button sewing foot T
12	202137009	Even feed foot
13	859813000	Open toe satin stitch foot F2
14	858820007	Convertible free motion quilting foot QB-S
15	858820100	Close-toe foot
16	858821008	Open-toe foot
17	858822009	Clear view foot
18	214015007	Quilting guide bar for even feed foot
19	859856005	Needle case (unit)
20	860194002	Touch panel stylus
21	846417011	Knee lifter
22	647808009	Seam ripper (buttonhole opener)
23	809041004	Extra spool pin
24	822020503	Spool holder (large)
25	822019509	Spool holders (small)
26	862408008	Spool holders (special)
27	102261103	Bobbins
28	202260002	Bobbin (unit)
29	820832005	Screwdriver
30	802424004	Lint brush
31	755802001	Quilting guide bar
32	862817107	Straight stitch needle plate
33	809136100	Hook cover plate
34	858801002	Caution card
35	863800409	Instruction book (English)
36	C-1036	Foot control
37	856519004	Power cable (U.S.A., Canada)
	830314018	Power cable (Australia)
	830335004	Power cable (Continental Europe, Russia)
38	863409002	Extra wide table (unit)
39	861401514	Extra wide table top
40	859867010	Extra wide table accessories (unit)
41	858802014	Cover